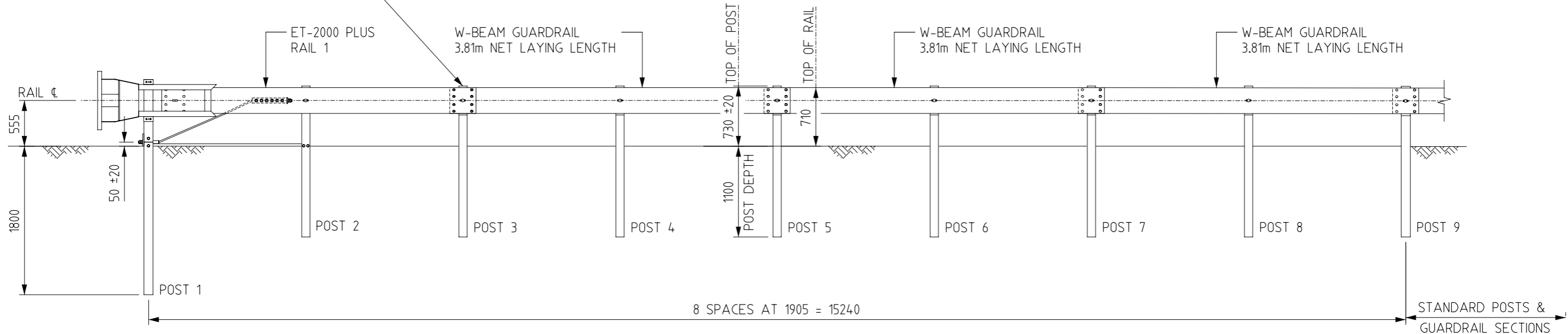
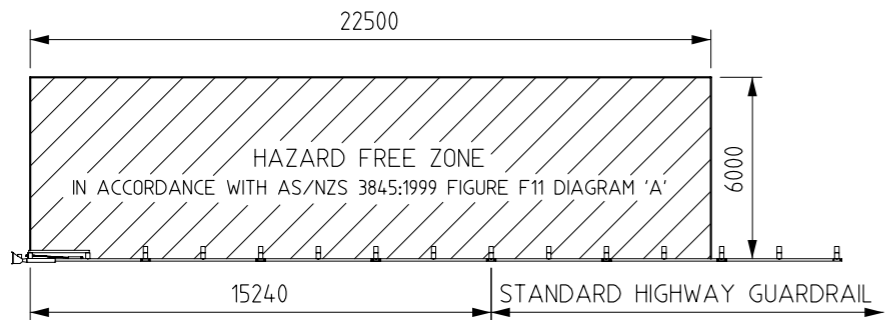


PLAN VIEW



ELEVATION



ET2000 PLUS TERMINAL (TEST LEVEL 3)

CAD FILE - CABSTD61.DGN 4/8/03

Rev.	Description	Chkd	Date
B	GENERAL AMENDMENTS	B.F.	19/5/04
A	HAZARD FREE ZONE & POST DEPTH ADDED	B.F.	22/3/04
0	INITIAL ISSUE	G.P.P.	4/8/03

INGAL Civil Products
 127-141 Bath Road, Kirrawee, NSW, 2232 Australia
 Telephone 61-2-9710 5555, Facsimile 61-2-9542 3667, Internet www.ingalcivil.com.au
 © Industrial Galvanizers Corporation Pty Ltd ACN 000 545 415 (2003)
 This drawing is the subject of COPYRIGHT. No part of it may be used, reproduced or copied by any means or in any form without the prior permission of the owner.

NSW ACT QLD NT VIC TAS WA SA SNG HK ---

PROJECT ET-2000 PLUS
 STEEL YIELDING TERMINAL POST SYSTEM
 NCHRP 350 TEST LEVEL 3

TITLE GUARDRAIL EXTRUDER TERMINAL
 SITE PLAN

DATE	4/8/03	INGAL CIVIL PRODUCTS PART No.
DRAWN	B.FREEMAN	
DESIGNED	TRINITY IND.	ISSUE No. CAB-STD-61 REV.B
CHECKED	G.P.P.	
MATERIAL	AS SHOWN	
FINISH	H.D.GALV.	
SCALE	1:50 (A3)	