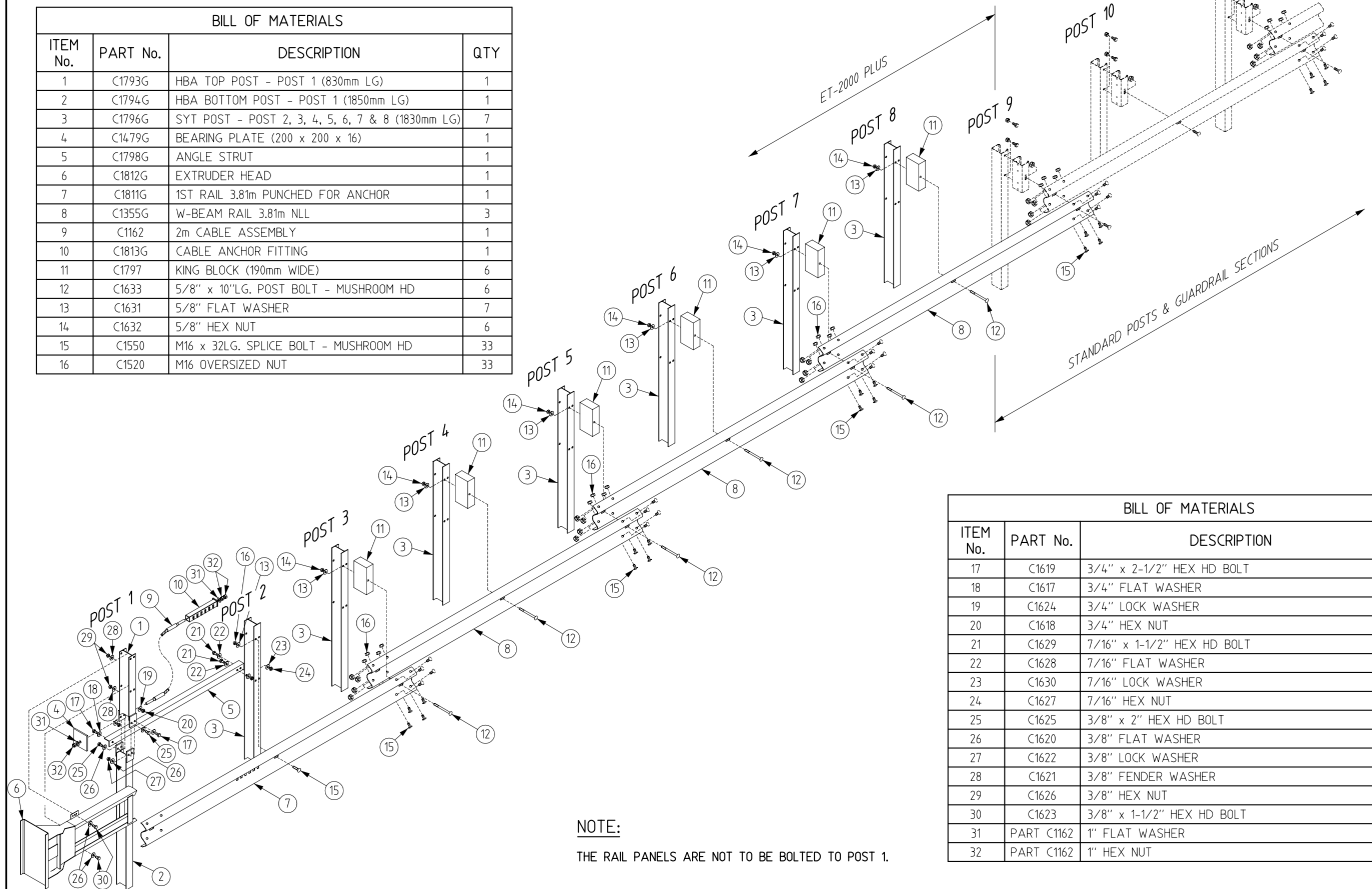


BILL OF MATERIALS			
ITEM No.	PART No.	DESCRIPTION	QTY
1	C1793G	HBA TOP POST - POST 1 (830mm LG)	1
2	C1794G	HBA BOTTOM POST - POST 1 (1850mm LG)	1
3	C1796G	SYT POST - POST 2, 3, 4, 5, 6, 7 & 8 (1830mm LG)	7
4	C1479G	BEARING PLATE (200 x 200 x 16)	1
5	C1798G	ANGLE STRUT	1
6	C1812G	EXTRUDER HEAD	1
7	C1811G	1ST RAIL 3.81m PUNCHED FOR ANCHOR	1
8	C1355G	W-BEAM RAIL 3.81m NLL	3
9	C1162	2m CABLE ASSEMBLY	1
10	C1813G	CABLE ANCHOR FITTING	1
11	C1797	KING BLOCK (190mm WIDE)	6
12	C1633	5/8" x 10" LG. POST BOLT - MUSHROOM HD	6
13	C1631	5/8" FLAT WASHER	7
14	C1632	5/8" HEX NUT	6
15	C1550	M16 x 32LG. SPLICE BOLT - MUSHROOM HD	33
16	C1520	M16 OVERSIZED NUT	33



BILL OF MATERIALS			
ITEM No.	PART No.	DESCRIPTION	QTY
17	C1619	3/4" x 2-1/2" HEX HD BOLT	2
18	C1617	3/4" FLAT WASHER	2
19	C1624	3/4" LOCK WASHER	2
20	C1618	3/4" HEX NUT	2
21	C1629	7/16" x 1-1/2" HEX HD BOLT	2
22	C1628	7/16" FLAT WASHER	2
23	C1630	7/16" LOCK WASHER	2
24	C1627	7/16" HEX NUT	2
25	C1625	3/8" x 2" HEX HD BOLT	2
26	C1620	3/8" FLAT WASHER	4
27	C1622	3/8" LOCK WASHER	2
28	C1621	3/8" FENDER WASHER	2
29	C1626	3/8" HEX NUT	4
30	C1623	3/8" x 1-1/2" HEX HD BOLT	2
31	PART C1162	1" FLAT WASHER	2
32	PART C1162	1" HEX NUT	3

**NOTE:**  
THE RAIL PANELS ARE NOT TO BE BOLTED TO POST 1.

CAD FILE - CABSTD62.DGN 4/08/03

Rev.	Description	Chkd	Date
B	ITEM 11 DESCRIPTION AMENDED	B.F.	19/5/04
A	ITEM 13 QUANTITY CHANGED	B.F.	22/3/04
0	INITIAL ISSUE	G.P.P.	4/8/03

**INGAL Civil Products**

127-141 Bath Road, Kirrawee, NSW, 2232 Australia  
Telephone 61-2-9710 5555, Facsimile 61-2-9542 3667, Internet www.ingalcivil.com.au  
© Industrial Galvanizers Corporation Pty Ltd ACN 000 545 415 (2003)  
This drawing is the subject of COPYRIGHT. No part of it may be used, reproduced or copied by any means or in any form without the prior permission of the owner.

NSW  
 ACT  
 QLD  
 NT  
 VIC  
 TAS  
 WA  
 SA  
 SNG  
 HK  
 ---

PROJECT ET-2000 PLUS  
STEEL YIELDING TERMINAL POST SYSTEM  
NCHRP 350 TEST LEVEL 3

TITLE GUARDRAIL EXTRUDER TERMINAL  
ISOMETRIC ASSEMBLY DETAILS

DATE 4/8/03	INGAL CIVIL PRODUCTS REFERENCE No.
DRAWN B.FREEMAN	
DESIGNED TRINITY IND.	
CHECKED G.P.P.	
MATERIAL AS SHOWN	
FINISH H.D.GALV.	
SCALE 1:500 (A3)	DRAWING No. <b>CAB-STD-62</b>
	REV.B