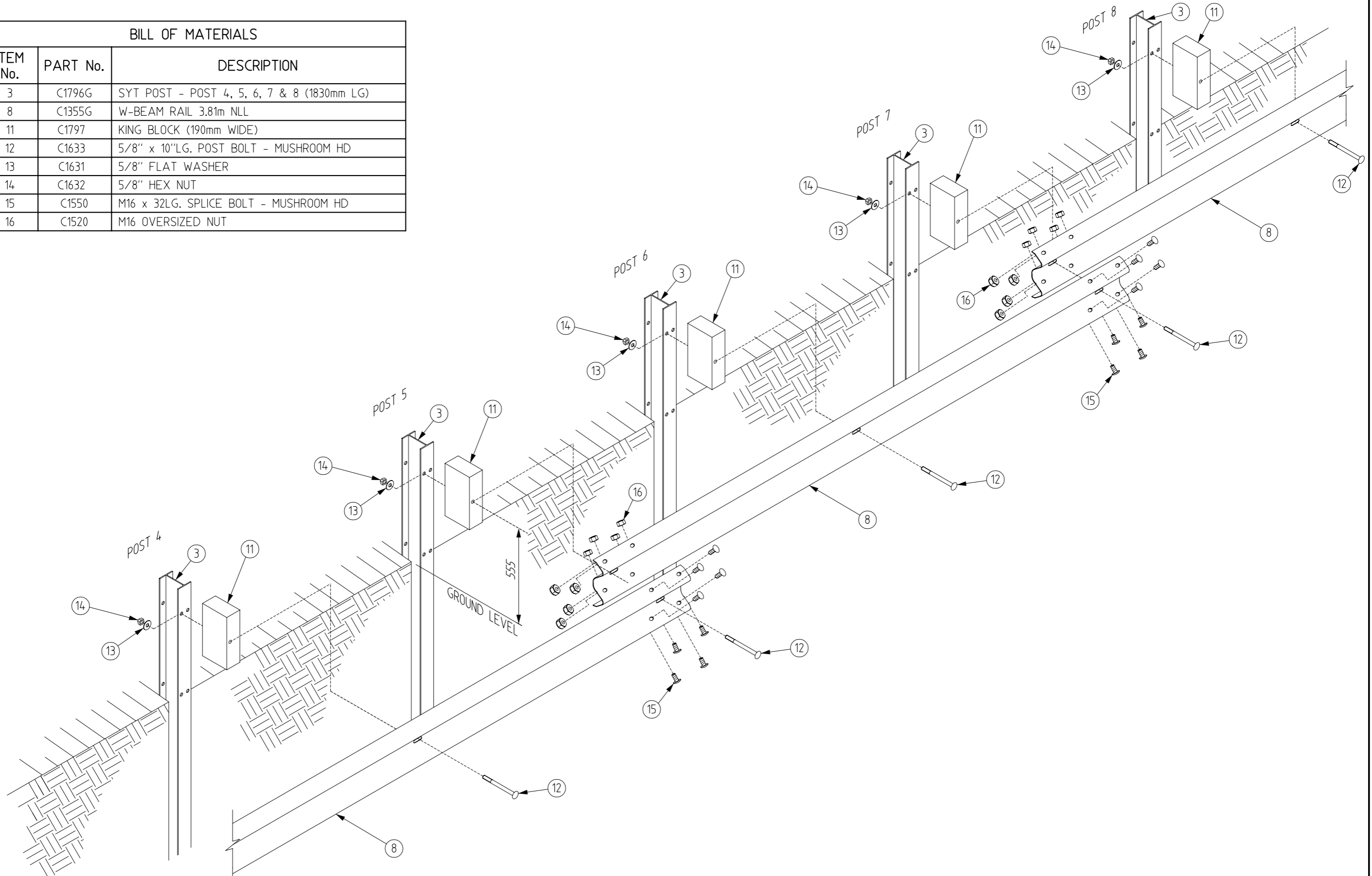


BILL OF MATERIALS		
ITEM No.	PART No.	DESCRIPTION
3	C1796G	SYT POST - POST 4, 5, 6, 7 & 8 (1830mm LG)
8	C1355G	W-BEAM RAIL 3.81m NLL
11	C1797	KING BLOCK (190mm WIDE)
12	C1633	5/8" x 10" LG. POST BOLT - MUSHROOM HD
13	C1631	5/8" FLAT WASHER
14	C1632	5/8" HEX NUT
15	C1550	M16 x 32LG. SPLICE BOLT - MUSHROOM HD
16	C1520	M16 OVERSIZED NUT



CAD FILE - CABSTD64.DGN 10/02/04

Rev.	Description	Chkd	Date
B	ITEM 11 DESCRIPTION AMENDED	B.F.	19/5/04
A	LENGTH ADDED TO BILL OF MATERIALS	B.F.	22/3/04
0	INITIAL ISSUE	I.J.	10/2/04

INGAL Civil Products

127-141 Bath Road, Kirrawee, NSW, 2232 Australia
 Telephone 61-2-9710 5555, Facsimile 61-2-9542 3667, Internet www.ingalcivil.com.au
 © Industrial Galvanizers Corporation Pty Ltd ACN 000 545 415 (2004)
 This drawing is the subject of COPYRIGHT. No part of it may be used, reproduced or copied by any means or in any form without the prior permission of the owner.

NSW
 ACT
 QLD
 NT
 VIC
 TAS
 WA
 SA
 SNG
 HK

PROJECT ET-2000 PLUS
 STEEL YIELDING TERMINAL POST SYSTEM
 NCHRP 350 TEST LEVEL 3

TITLE GUARDRAIL EXTRUDER TERMINAL
 POSTS 4, 5, 6, 7 & 8 ASSEMBLY DRAWING

DATE	10/02/04	INGAL CIVIL PRODUCTS REFERENCE No.
DRAWN	B.FREEMAN	
DESIGNED	TRINITY IND.	DRAWING No. CAB-STD-64 REV.B
CHECKED	I.J.	
MATERIAL	AS SHOWN	
FINISH	H.D.GALV.	
SCALE	1:250 (A3)	