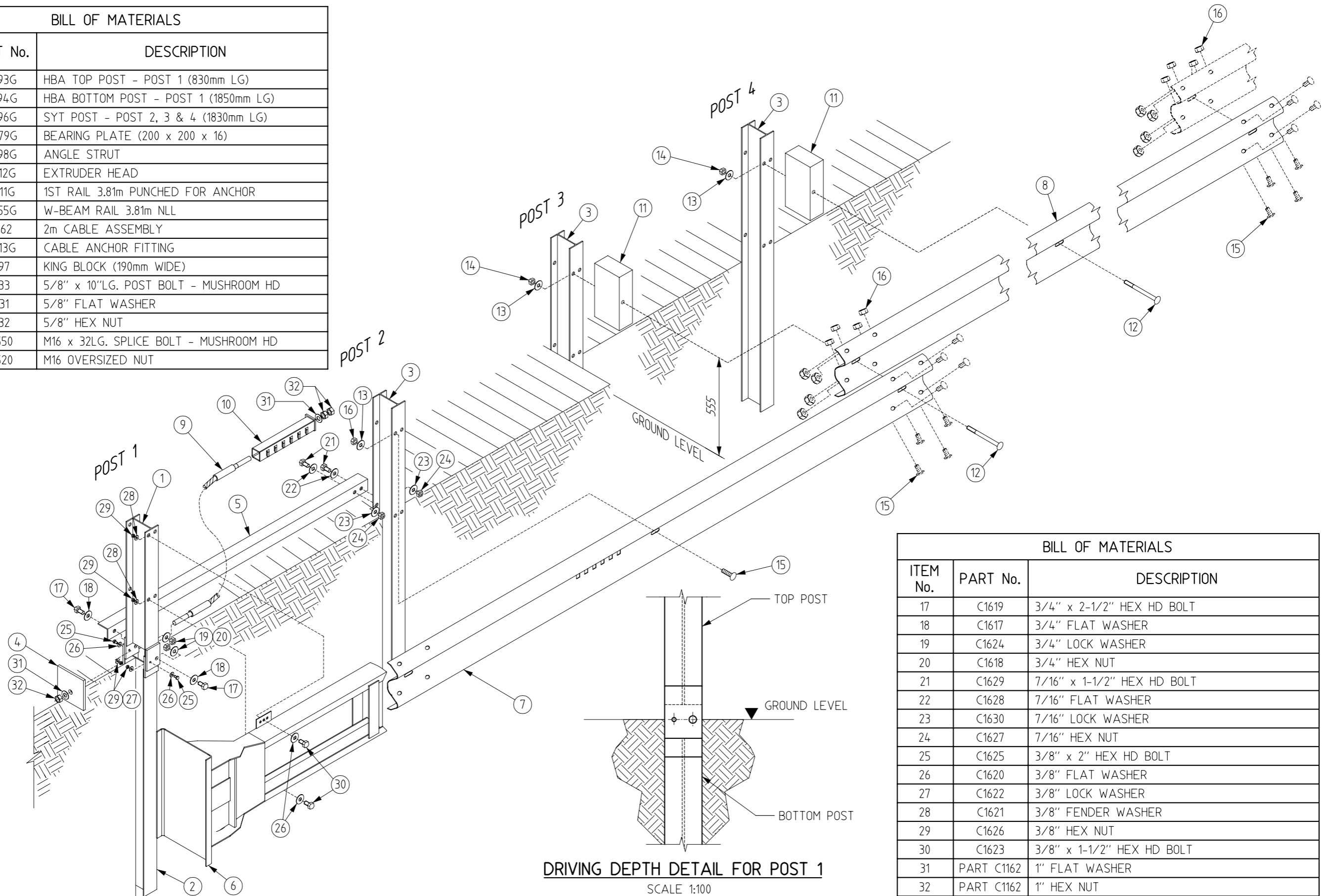


BILL OF MATERIALS

ITEM No.	PART No.	DESCRIPTION
1	C1793G	HBA TOP POST - POST 1 (830mm LG)
2	C1794G	HBA BOTTOM POST - POST 1 (1850mm LG)
3	C1796G	SYT POST - POST 2, 3 & 4 (1830mm LG)
4	C1479G	BEARING PLATE (200 x 200 x 16)
5	C1798G	ANGLE STRUT
6	C1812G	EXTRUDER HEAD
7	C1811G	1ST RAIL 3.81m PUNCHED FOR ANCHOR
8	C1355G	W-BEAM RAIL 3.81m NLL
9	C1162	2m CABLE ASSEMBLY
10	C1813G	CABLE ANCHOR FITTING
11	C1797	KING BLOCK (190mm WIDE)
12	C1633	5/8" x 10" LG. POST BOLT - MUSHROOM HD
13	C1631	5/8" FLAT WASHER
14	C1632	5/8" HEX NUT
15	C1550	M16 x 32LG. SPLICE BOLT - MUSHROOM HD
16	C1520	M16 OVERSIZED NUT



ITEM No.	PART No.	DESCRIPTION
17	C1619	3/4" x 2-1/2" HEX HD BOLT
18	C1617	3/4" FLAT WASHER
19	C1624	3/4" LOCK WASHER
20	C1618	3/4" HEX NUT
21	C1629	7/16" x 1-1/2" HEX HD BOLT
22	C1628	7/16" FLAT WASHER
23	C1630	7/16" LOCK WASHER
24	C1627	7/16" HEX NUT
25	C1625	3/8" x 2" HEX HD BOLT
26	C1620	3/8" FLAT WASHER
27	C1622	3/8" LOCK WASHER
28	C1621	3/8" FENDER WASHER
29	C1626	3/8" HEX NUT
30	C1623	3/8" x 1-1/2" HEX HD BOLT
31	PART C1162	1" FLAT WASHER
32	PART C1162	1" HEX NUT

DRIVING DEPTH DETAIL FOR POST 1
SCALE 1:100

CAD FILE - CABSTD67.DGN 12/05/05

Rev.	Description	Chkd	Date
0	INITIAL ISSUE	I.J.	12/5/05

INGAL Civil Products
 127-141 Bath Road, Kirrawee, NSW, 2232 Australia
 Telephone 61-2-9710 5555, Facsimile 61-2-9542 3667, Internet www.ingalcivil.com.au
 © Industrial Galvanizers Corporation Pty Ltd ACN 000 545 415 (2005)
 This drawing is the subject of COPYRIGHT. No part of it may be used, reproduced or copied by any means or in any form without the prior permission of the owner.

NSW ACT QLD NT VIC TAS WA SA SNG HK ---

PROJECT ET-2000 PLUS
 STEEL YIELDING TERMINAL POST SYSTEM
 NCHRP 350 TEST LEVEL 2

TITLE GUARDRAIL EXTRUDER TERMINAL
 POSTS 1, 2, 3 & 4 ASSEMBLY DRAWING

DATE	12/5/05	INGAL CIVIL PRODUCTS REFERENCE No.
DRAWN	B.FREEMAN	
DESIGNED	TRINITY IND.	DRAWING No. CAB-STD-67
CHECKED	I.J.	
MATERIAL	AS SHOWN	
FINISH	H.D.GALV.	
SCALE	1:25 (A3) U.N.O.	REV.0