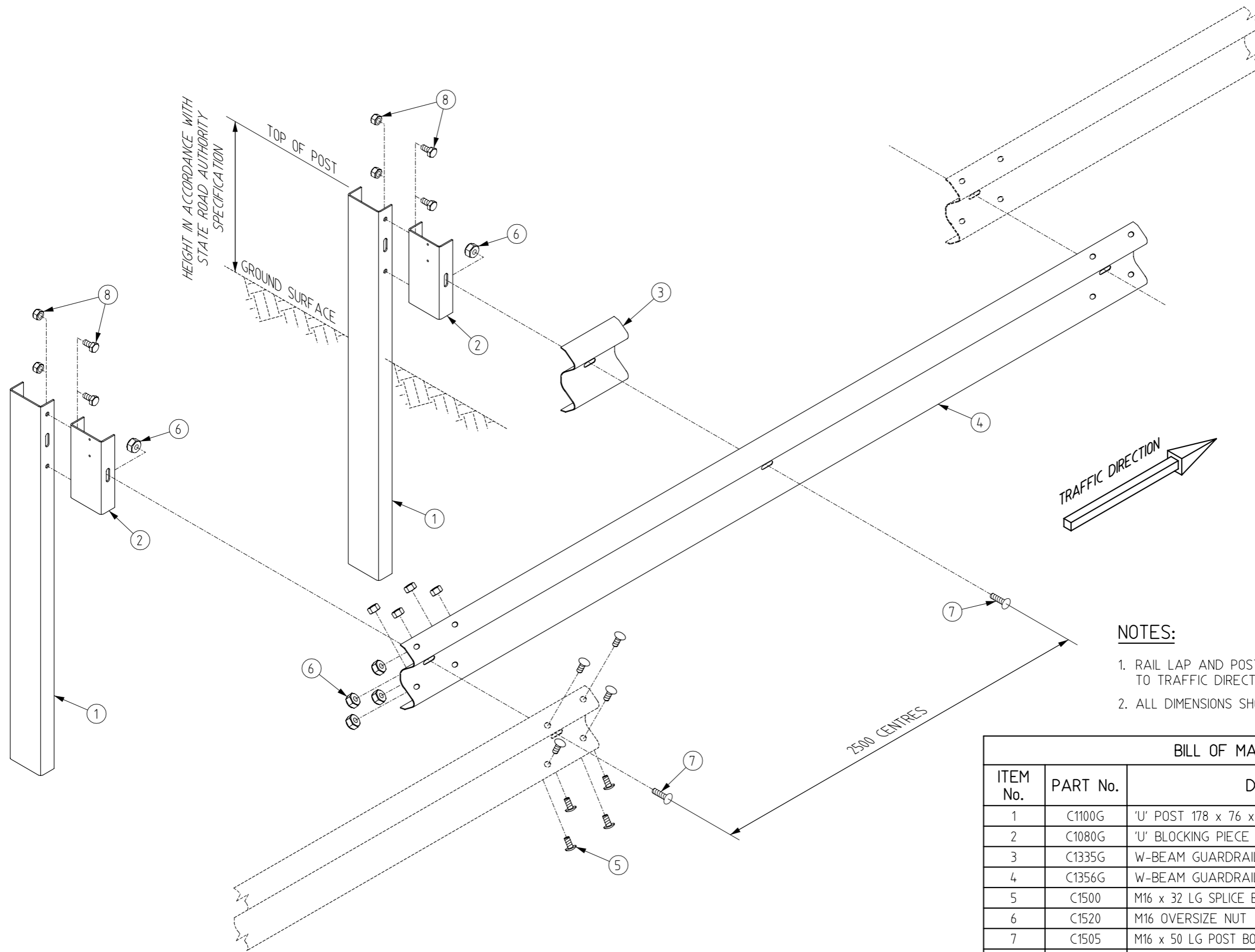


CAD FILE - CABSTD73.DGN 15/11/05



NOTES:

1. RAIL LAP AND POST ORIENTATION IN RELATION TO TRAFFIC DIRECTION AS SHOWN IS ESSENTIAL.
2. ALL DIMENSIONS SHOWN ARE IN MILLIMETRES.

BILL OF MATERIALS

| ITEM No. | PART No. | DESCRIPTION | QTY |
|----------|----------|---|-----|
| 1 | C1100G | 'U' POST 178 x 76 x 1800 LG | 2 |
| 2 | C1080G | 'U' BLOCKING PIECE | 2 |
| 3 | C1335G | W-BEAM GUARDRAIL STIFFENER | 1 |
| 4 | C1356G | W-BEAM GUARDRAIL 5m NET LAYING LENGTH | 1 |
| 5 | C1500 | M16 x 32 LG SPLICE BOLT - MUSHROOM HD (GRADE 4.6) | 8 |
| 6 | C1520 | M16 OVERSIZE NUT | 10 |
| 7 | C1505 | M16 x 50 LG POST BOLT - MUSHROOM HD (GRADE 4.6) | 2 |
| 8 | C1525 | M16 x 30 LG BOLT & NUT - HEX. HD | 4 |

| Rev. | Description | Chkd | Date |
|------|---------------|------|----------|
| 0 | INITIAL ISSUE | B.F. | 15/11/05 |

INGAL Civil Products

127-141 Bath Road, Kirrawee, NSW, 2232 Australia
 Telephone 61-2-9710 5555, Facsimile 61-2-9542 3667, Internet www.ingalcivil.com.au
 © Industrial Galvanizers Corporation Pty Ltd ACN 000 545 415 (2005)
 This drawing is the subject of COPYRIGHT. No part of it may be used, reproduced or copied by any means or in any form without the prior permission of the owner.

NSW
 ACT
 QLD
 NT
 VIC
 TAS
 WA
 SA
 SNG
 HK

PROJECT VICTORIAN TYPE B GUARDFENCE

TITLE GENERAL ARRANGEMENT

| | | |
|----------|-------------|---|
| DATE | 15/11/05 | INGAL CIVIL PRODUCTS REFERENCE No. |
| DRAWN | B.FREEMAN | |
| DESIGNED | I.C.P. | DRAWING No. CAB-STD-72 REV.0 |
| CHECKED | T.C. | |
| MATERIAL | AS SHOWN | |
| FINISH | H.D.GALV. | |
| SCALE | N.T.S. (A3) | |