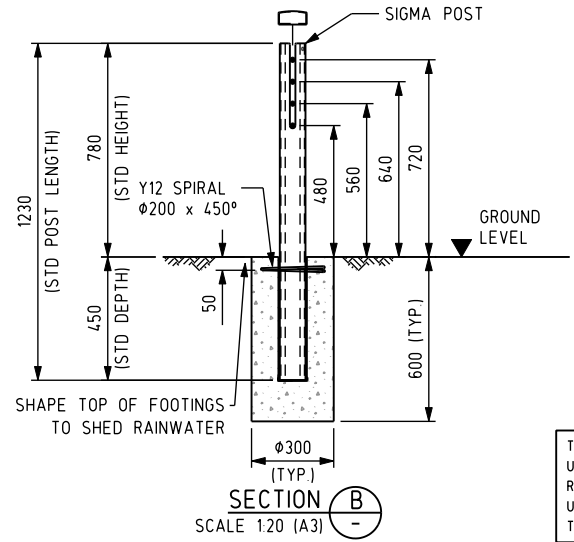
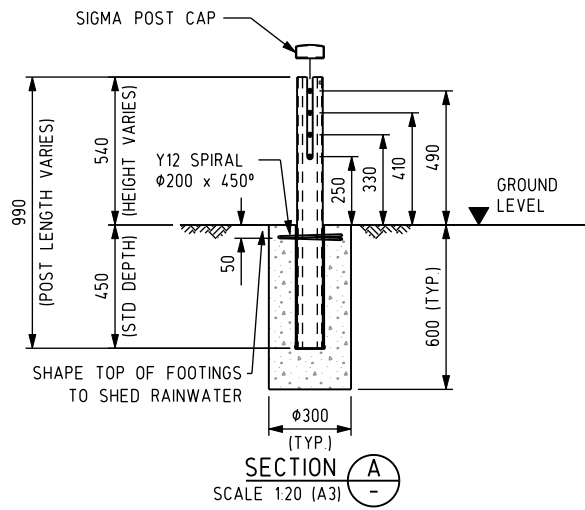


ITEM No.	POST LENGTH
a	750
b	798
c	846
d	894
e	942
f	990
g	1038
h	1086
i	1134
j	1182
k	1230



THE FLEXFENCE TL3 TERMINAL HAS BEEN APPROVED BY THE US FEDERAL HIGHWAY ADMINISTRATION AS CONFORMING TO NCHRP REPORT 350 TEST LEVEL 3 (TL3) IN A 3 ROPE AND 4 ROPE CONFIGURATION THIS REPORT HAS BEEN ADOPTED AS THE BASIS OF TESTING FOR AS/NZS 3845.1999.

CAD FILE - WRSTD50.DGN 9/2/07

Rev	Description	Chkd	Date
3	NOTES MODIFIED, TITLE AMENDED	AJP	9/2/07
2	ANCHOR BLOCK DETAILS REMOVED	AJP	16/6/06
0	INITIAL ISSUE	T.C.	2/2/06

INGAL Civil Products
 127-141 Bath Road, Kirrawee, NSW, 2232 Australia
 Telephone 61-2-9710 5555, Facsimile 61-2-9542 3667, Internet www.ingalcivil.com.au
 © Industrial Galvanizers Corporation Pty Ltd ACN 000 545 415 (2006)
 This drawing is the subject of COPYRIGHT. No part of it may be used, reproduced or copied by any means or in any form without the prior permission of the owner.

NSW ACT QLD NT VIC TAS WA SA SNG HK ...

PROJECT **FLEXFENCE WIRE ROPE SAFETY BARRIER END ANCHOR**

TITLE **TL3 END TERMINAL GENERAL ARRANGEMENT**

DATE	2/2/06	INGAL CIVIL PRODUCTS DRAWING No.	WR-STD-50
DRAWN	B.FREEMAN	ISSUE No.	
DESIGNED	BLUE SYSTEMS	3	
CHECKED	T.C.		
MATERIAL	-		
FINISH	-		
SCALE	AS SHOWN		