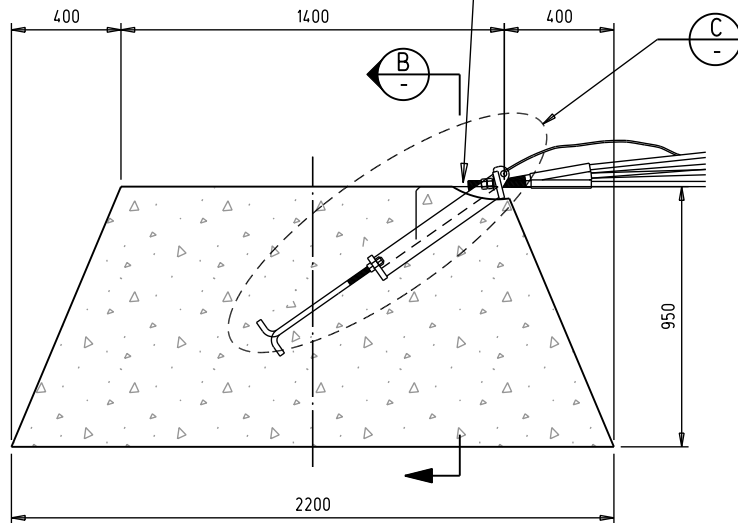
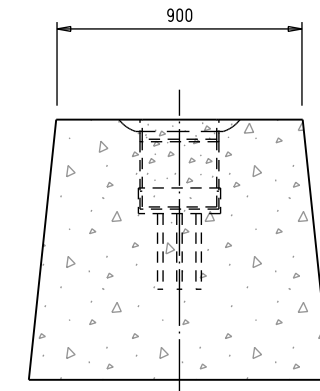


PLAN VIEW

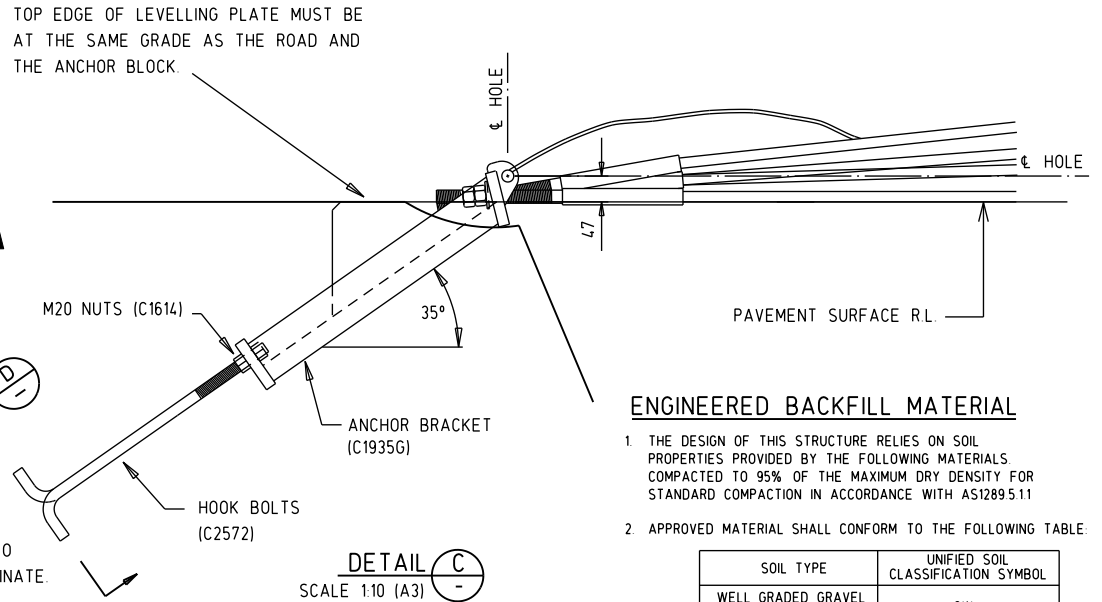
AREA IMMEDIATELY BEHIND FINGER PLATE TO BE FREE OF CONCRETE TO ALLOW THE END FITTINGS TO TERMINATE



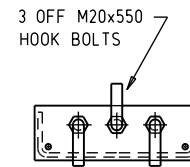
SECTION A



SECTION B



DETAIL C  
SCALE 1:10 (A3)



VIEW D

**ENGINEERED BACKFILL MATERIAL**

1. THE DESIGN OF THIS STRUCTURE RELIES ON SOIL PROPERTIES PROVIDED BY THE FOLLOWING MATERIALS COMPACTED TO 95% OF THE MAXIMUM DRY DENSITY FOR STANDARD COMPACTION IN ACCORDANCE WITH AS1289.5.11
2. APPROVED MATERIAL SHALL CONFORM TO THE FOLLOWING TABLE:

SOIL TYPE	UNIFIED SOIL CLASSIFICATION SYMBOL
WELL GRADED GRAVEL OR SANDY GRAVEL	GW
POORLY GRADED GRAVEL OR SANDY GRAVEL	GP
WELL GRADED SAND OR GRAVELLY SAND	SW
POORLY GRADED SAND OR GRAVELLY SAND	SP

3. INSITU SOIL SURROUNDING THE ANCHOR BLOCK AND BACKFILL MATERIAL ADJACENT TO THE ANCHOR BLOCK SHALL COMPLY WITH THESE UNIFIED SOIL CLASSIFICATIONS SELECT FILL AND INSITU MATERIAL SHALL HAVE A MAXIMUM LINEAR SHRINKAGE, DETERMINED IN ACCORDANCE WITH AS 1289.3.4.1, OF 8 PERCENT.

RECOMMENDED PARTICLE SIZE GRADING FOR BACKFILL MATERIAL:

SELECT FILL GRADING REQUIREMENTS	
SIEVE APERTURE mm	MASS OF SAMPLE PASSING* %
75.0	100
9.5	50-100
2.36	30-100
0.60	15-50
0.075	0-25

\* DETERMINED IN ACCORDANCE WITH AS 1289.3.6.1

**CONCRETE**

1. COMPRESSIVE STRENGTH OF CONCRETE AT 28 DAYS SHALL BE 32MPa.

CAD FILE - WRSTD53.DGN 24/04/07

ISSUE	Description	Chkd	Date
2	NOTES AMENDED	AJP	24/4/07
1	INITIAL ISSUE	AJP	19/06/06

**INGAL Civil Products**

127-141 Bath Road, Kirrawee, NSW, 2232 Australia  
 Telephone 61-2-9710 5555, Facsimile 61-2-9542 3667, Internet www.ingalcivil.com.au  
 © Industrial Galvanizers Corporation Pty Ltd ACN 000 545 415 (2003)  
 This drawing is the subject of COPYRIGHT. No part of it may be used, reproduced or copied by any means or in any form without the prior permission of the owner.

PROJECT	INGAL FLEXFENCE WIRE ROPE SAFETY BARRIER
TITLE	TYPE 2 CONCRETE ANCHOR TL3 END TERMINAL

DATE	19/06/06	INGAL CIVIL PRODUCTS DRAWING No. <b>WR-STD-53</b> ISSUE No. <b>2</b>
DRAWN	A. PURDON	
DESIGNED	ICP	
CHECKED	T.C.	
MATERIAL	AS SHOWN	
FINISH	AS SHOWN	
SCALE	1:20 (A3) U.N.O.	