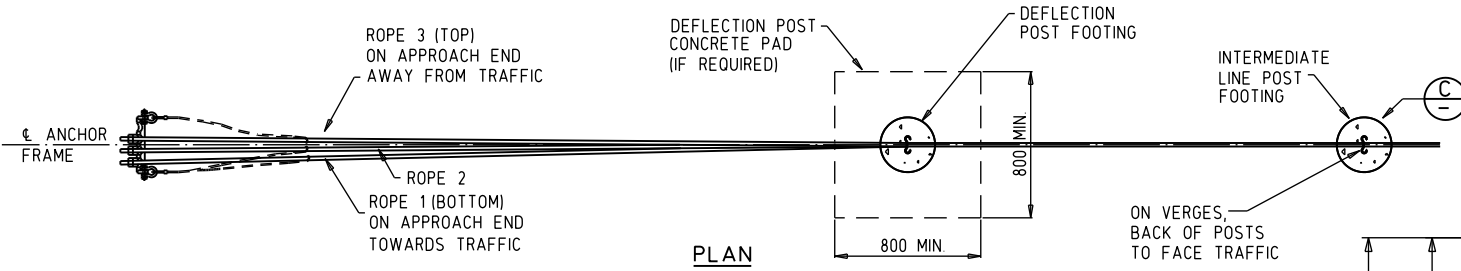
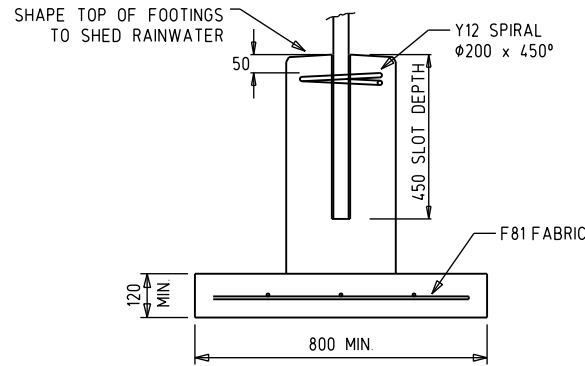


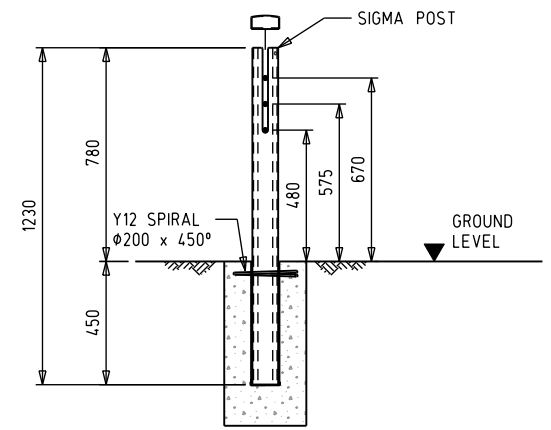
LONGITUDINAL SECTION



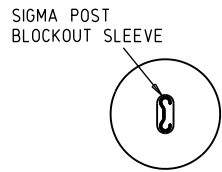
PLAN



DETAIL B



DETAIL A



DETAIL C

CAD FILE - WRSTD54.DGN 9/2/07

ISSUE	Description	Chkd	Date
2	NOTES & TITLE AMENDED	AJP	9/2/07
1	INITIAL ISSUE	AJP	26/6/06



INGAL Civil Products

127-141 Bath Road, Kirrawee, NSW, 2232 Australia
 Telephone 61-2-9710 5555, Facsimile 61-2-9542 3667, Internet www.ingalcivil.com.au
 © Industrial Galvanizers Corporation Pty Ltd ACN 000 545 415 (2003)
 This drawing is the subject of COPYRIGHT. No part of it may be used, reproduced or copied by any means or in any form without the prior permission of the owner.

PROJECT	INGAL FLEXFENCE WIRE ROPE SAFETY BARRIER
TITLE	3 ROPE EN1317 STANDARD END TERMINAL

DATE	26/6/06
DRAWN	A PURDON
DESIGNED	ICP
CHECKED	TC
MATERIAL	AS SHOWN
FINISH	AS SPECIFIED
SCALE	130 AT A3

INGAL CIVIL PRODUCTS DRAWING No.	WR-STD-54
ISSUE No.	
	2