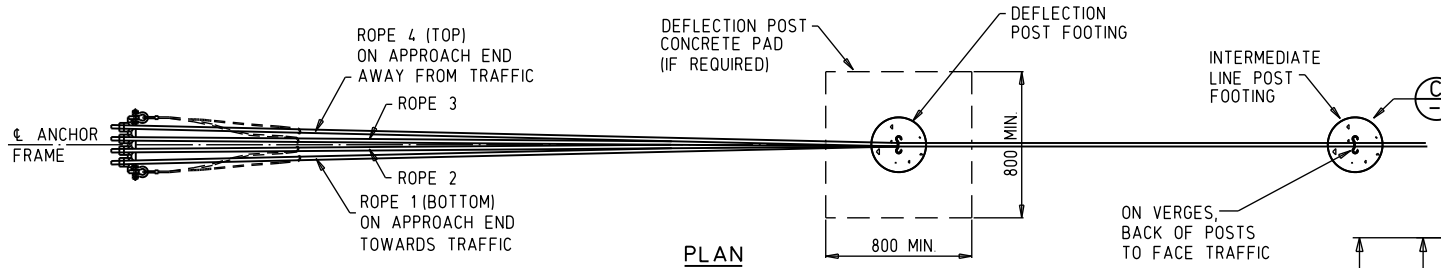
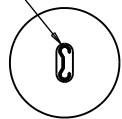


LONGITUDINAL SECTION

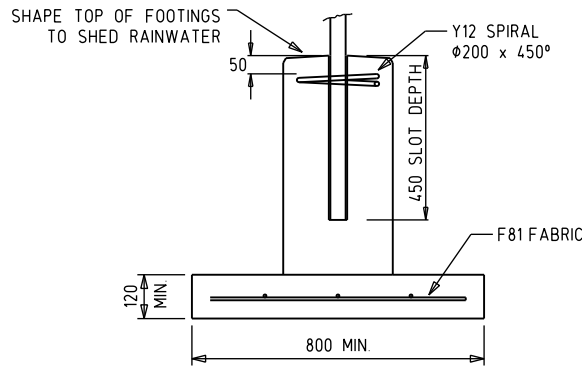


PLAN

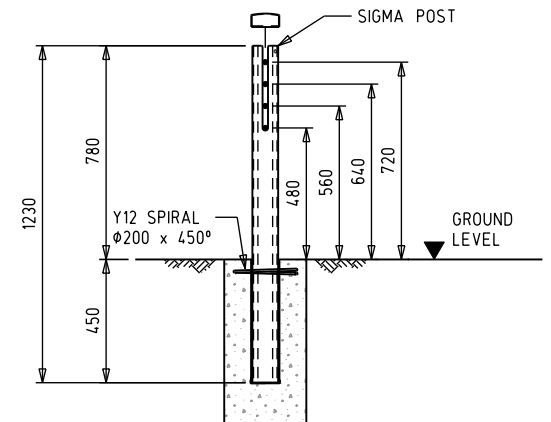
SIGMA POST
BLOCKOUT SLEEVE



DETAIL C



DETAIL B



DETAIL A

NOTE:
ROPE NO. 2 IS OMITTED FOR THE INSTALLATION OF 3 ROPE 350.

ISSUE	Description	Chkd	Date
3	TITLE AMENDED	A.J.P.	24/04/07
2	NOTES & TITLE AMENDED	A.J.P.	9/2/07
1	INITIAL ISSUE	A.J.P.	26/6/06



INGAL Civil Products

127-161 Bath Road, Kirrawee, NSW, 2232 Australia
Telephone 61-2-9710 5555, Facsimile 61-2-9542 3667, Internet www.ingalcivil.com.au
© Industrial Galvanizers Corporation Pty Ltd ACN 000 545 415 (2003)
This drawing is the subject of COPYRIGHT. No part of it may be used, reproduced or copied by any means or in any form without the prior permission of the owner.

PROJECT **INGAL FLEXFENCE
WIRE ROPE SAFETY BARRIER**

TITLE **4 ROPE TL3 AND 3 ROPE TL4
STANDARD END TERMINAL**

DATE	26/6/06
DRAWN	A PURDON
DESIGNED	ICP
CHECKED	T.C.
MATERIAL	AS SHOWN
FINISH	AS SPECIFIED
SCALE	130 AT A3

INGAL CIVIL PRODUCTS DRAWING No.	WR-STD-55
ISSUE No.	
	3