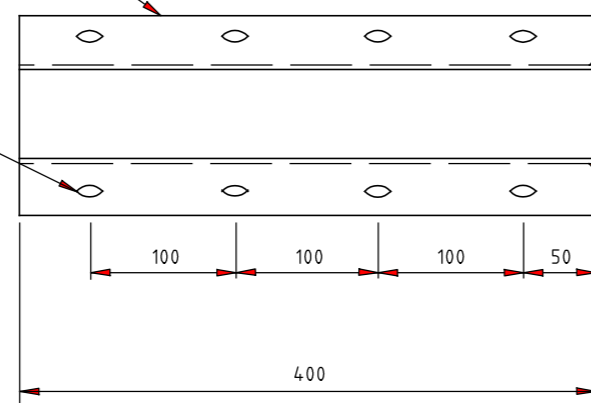


400 x 330 x 5 MILD STEEL PLATE
GRADE 250 MINIMUM.

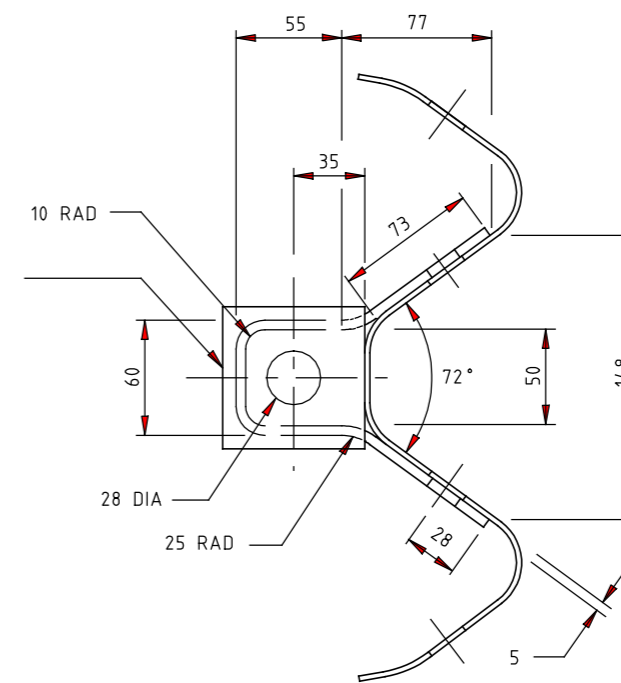
18 DIA HOLES
(DRILL BEFORE BENDING)



SIDE VIEW

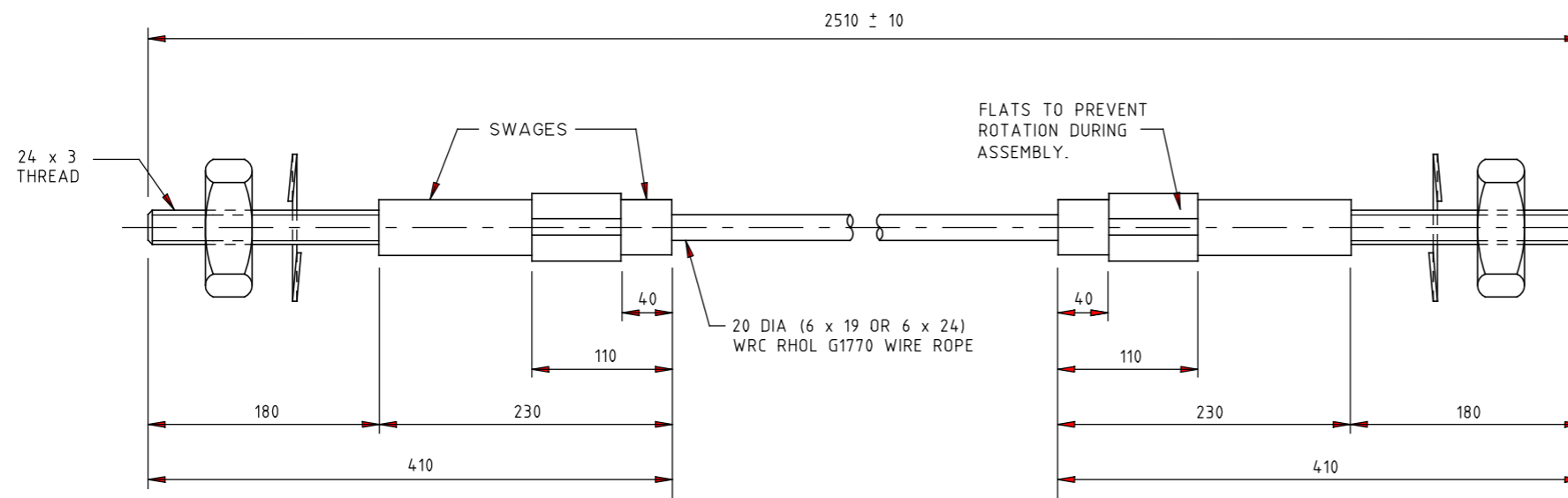
5 WELD TO AS1554

74 x 74 x 10 END PLATE

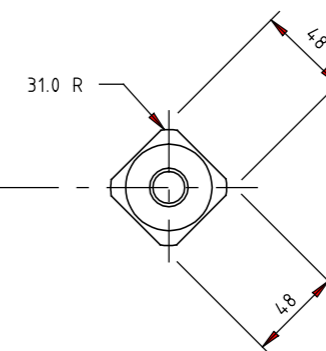


END VIEW

ANCHOR PLATE



ANCHOR CABLE ASSEMBLY



END VIEW
(SWAGE FITTING)

NOTE: COMPLETE ASSEMBLY SHALL BE ABLE TO DEVELOP TENSILE STRENGTH OF 195 KN.

E			
D			
C			
B	R.G.	JAN 94	RAIL SPECIFICATION, NOTE AND GENERAL NOTES 1, 3 & 4.
A	M.P.	MAY 90	CABLE LENGTH
AMEND.	Appd.	Date	AMENDMENTS

GENERAL NOTES / CROSS REFERENCES
 1. BREAKAWAY CABLE TERMINAL - GENERAL ARRANGEMENT SD 3541 AND SD 3542
 2. BREAKAWAY CABLE TERMINAL - DETAILS SD 3561
 3. GUARD RAIL TO BE MANUFACTURED FROM BMT 2.7 ± 0.21mm AS1594/HA350 STEEL PLATE.
 4. ALL DIMENSIONS ARE IN MILLIMETRES UNLESS SHOWN OTHERWISE.

vicroads

PRINCIPAL
ROAD DESIGN ENGINEER'S
DEPARTMENT

STANDARD DRAWING BREAKAWAY CABLE TERMINAL ANCHOR CABLE AND PLATE DETAILS					
APPROVED	DATE	SPEC. REF. No.	SHEET No.	DRAWING No.	AMENDMENT
<i>Paul G... PRINCIPAL RD ENGINEER</i>	24. 2. 94			SD 3551	B