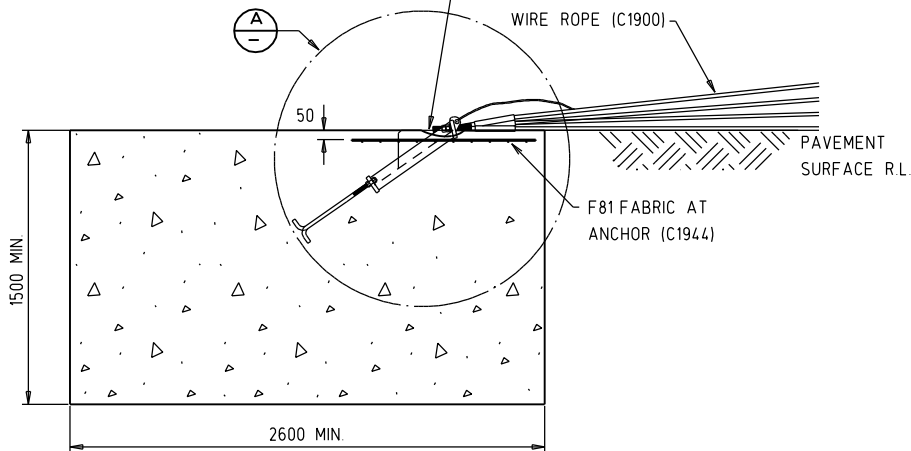
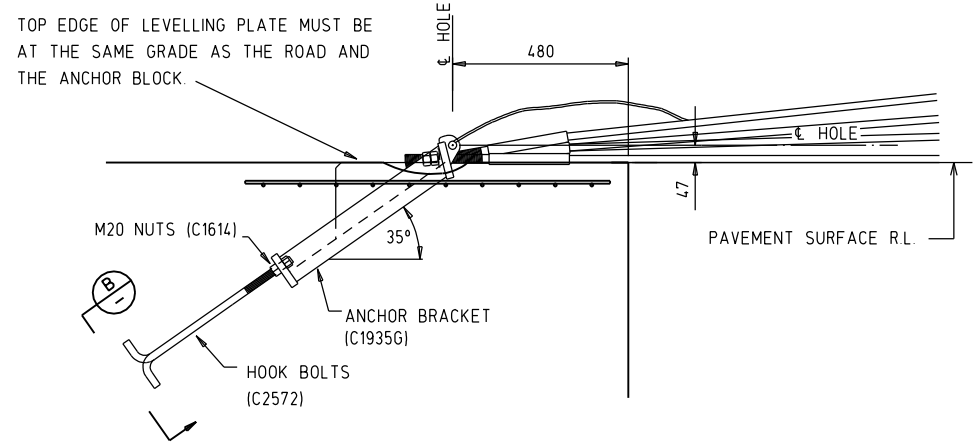


PLAN

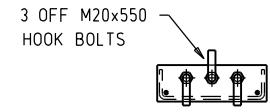
AREA IMMEDIATELY BEHIND FINGER PLATE TO BE FREE OF CONCRETE TO ALLOW THE END FITTINGS TO TERMINATE.



SECTION C



DETAIL A



VIEW B

NOTE: COMPRESSIVE STRENGTH OF CONCRETE AT 28 DAYS SHALL BE 25MPa.

CAD FILE - WRSTD52.DGN 19/6/06

ISSUE	Description	Chkd	Date
1	INITIAL ISSUE	A J P	19/6/06



INGAL Civil Products

127-141 Bath Road, Kirrawee, NSW, 2232 Australia
 Telephone 61-2-9710 5555, Facsimile 61-2-9542 3687, Internet www.ingalcivil.com.au
 © Industrial Galvanizers Corporation Pty Ltd ACN 000 545 415 (2003)
 This drawing is the subject of COPYRIGHT. No part of it may be used, reproduced or copied by any means or in any form without the prior permission of the owner.

PROJECT	INGAL FLEXFENCE WIRE ROPE SAFETY BARRIER
TITLE	TYPE 1 CONCRETE ANCHOR TL3 END TERMINAL

DATE	19/6/06	INGAL CIVIL PRODUCTS DRAWING No.
DRAWN	A PURDON	WR-STD-52
DESIGNED	ICP	
CHECKED	T.C.	ISSUE No.
MATERIAL	AS SHOWN	1
FINISH	AS SPECIFIED	
SCALE	NTS	