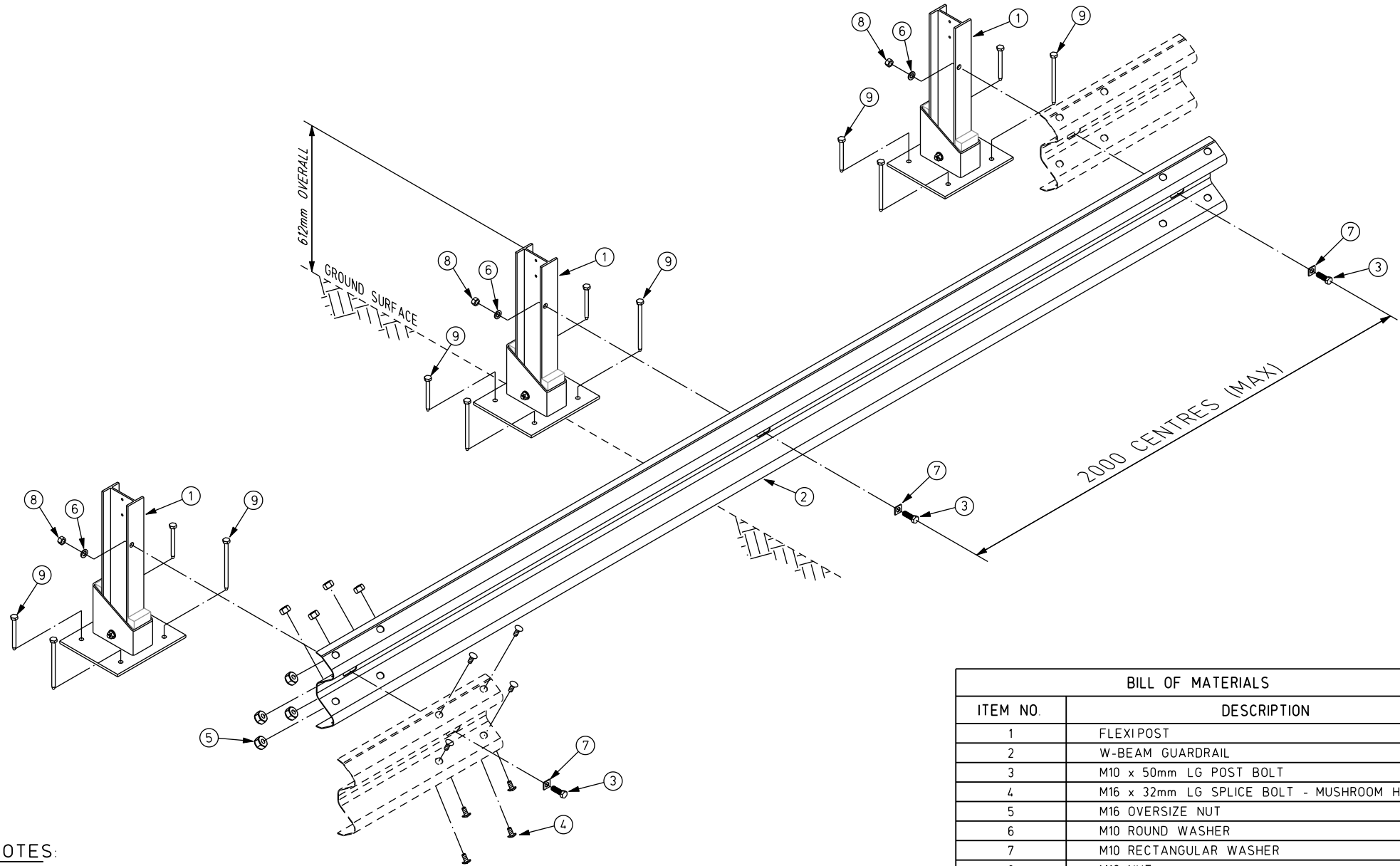


CAD FILE - STB-06.DGN 16/11/07




NOTES:

- 1. MIN ANCHOR EMBEDMENT DEPTH 150mm (REAR BOLTS) 215mm (FRONT BOLTS)
- 2. ALL DIMENSIONS SHOWN ARE IN MILLIMETRES.

BILL OF MATERIALS	
ITEM NO.	DESCRIPTION
1	FLEXIPOST
2	W-BEAM GUARDRAIL
3	M10 x 50mm LG POST BOLT
4	M16 x 32mm LG SPLICE BOLT - MUSHROOM HD
5	M16 OVERSIZE NUT
6	M10 ROUND WASHER
7	M10 RECTANGULAR WASHER
8	M10 NUT
9	M10 ANCHOR BOLT

Rev	Description	Chkd	Date
0	INITIAL ISSUE	A P	16/11/07


INGAL Civil Products
127-141 Bath Road, Kirrawee, NSW, 2232 Australia
 Telephone 61-2-9710 5555, Facsimile 61-2-9542 3667, Internet www.ingalcivil.com.au
 © Industrial Galvanizers Corporation Pty Ltd ACN 000 545 415 (2005)
 This drawing is the subject of COPYRIGHT. No part of it may be used, reproduced or copied by any means or in any form without the prior permission of the owner.

PROJECT	FLEXIPOST
TITLE	ASSEMBLY

DATE	16/11/07	INGAL CIVIL PRODUCTS REFERENCE No.
DRAWN	AJP	
DESIGNED		DRAWING No. STB-06
CHECKED	T C	
MATERIAL	AS SHOWN	
FINISH	AS SHOWN	
SCALE	N.T.S. (A3)	REV 0